

190,660

## JIG SAW PUZZLE

Robert G. Mote, 3024 Davidson Ave.,  
San Bernardino, Calif.

Filed June 23, 1958, Ser. No. 51,470

Term of patent 14 years

(Cl. D34—5)

FIG. 1.

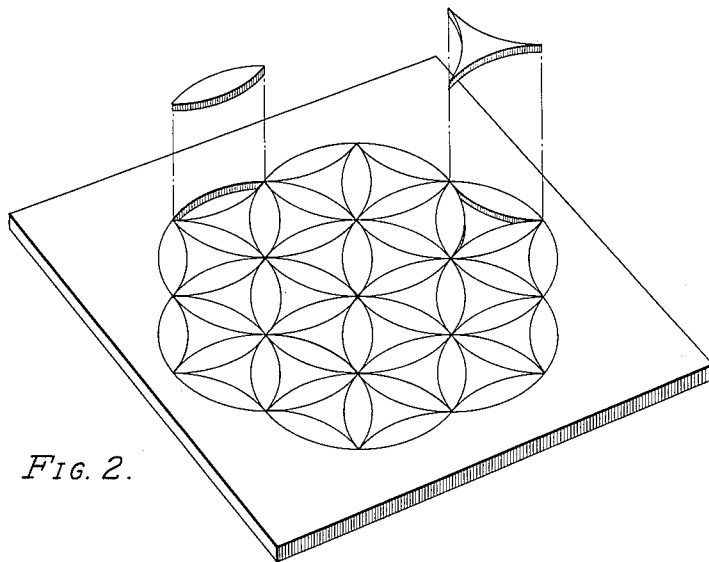
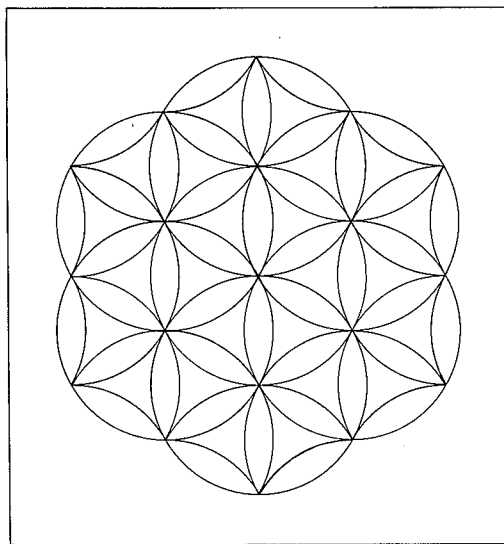


FIG. 2.

FIGURE 1 is a plan view of a jig saw puzzle embodying my new design; and

FIGURE 2 is a perspective view with two of the elements exploded.

I claim:

The ornamental design for a jig saw puzzle, substantially as shown.

### References Cited in the file of this patent

#### UNITED STATES PATENTS

2,520,207 Graham ..... Aug. 29, 1950

#### OTHER REFERENCES

Handbook of Designs and Devices by Hornung, rec'd.  
Aug. 27, 1946, plate 11, item 99, lower right.