

W. H. E. WEHNER.  
GAME APPARATUS.

APPLICATION FILED FEB. 15, 1904.

NO MODEL.

Fig: 1.

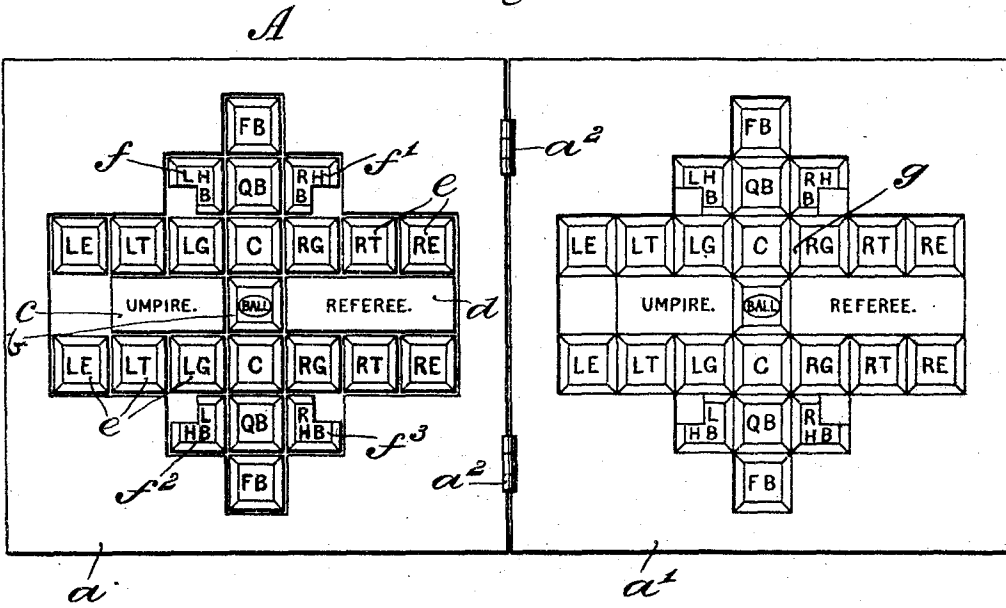


Fig: 2.

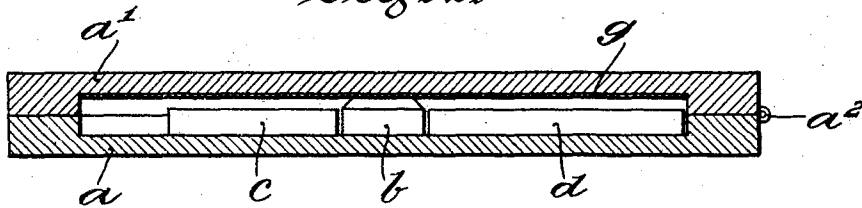
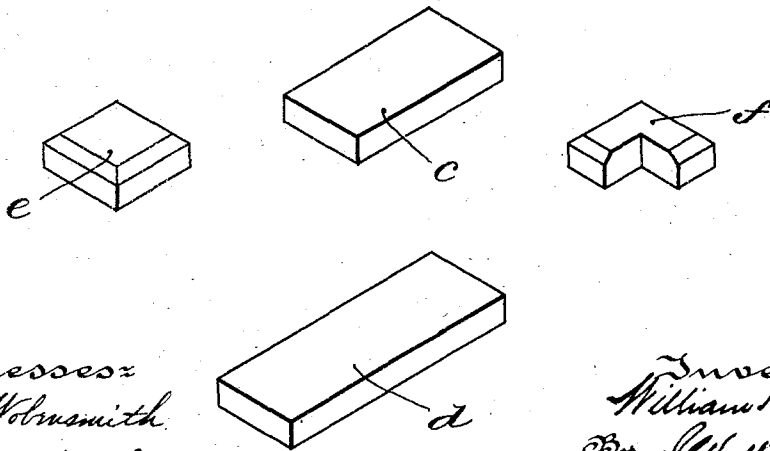


Fig: 3.



Witnesses:  
Jas. C. Wolmsmith.  
Thomas M. Smith.

Inventor:  
William H. E. Wehner  
By J. Walter Dwyer  
Attorney.

# UNITED STATES PATENT OFFICE.

WILLIAM H. E. WEHNER, OF GERMANTOWN, PENNSYLVANIA.

## GAME APPARATUS.

SPECIFICATION forming part of Letters Patent No. 771,514, dated October 4, 1904.

Application filed February 15, 1904. Serial No. 193,437. (No model.)

*To all whom it may concern:*

Be it known that I, WILLIAM H. E. WEHNER, a citizen of the United States, residing at Germantown, in the county of Philadelphia and State of Pennsylvania, have invented certain new and useful Improvements in Game Apparatus, of which the following is a specification.

My invention has relation to game apparatus in the nature of a puzzle, and in such connection it relates to the particular construction and arrangement of a recessed board to constitute a field within which lettered blocks of different forms and sizes may be shifted by defined moves about the field of the board to play the game.

The principal object of my invention is to provide a game apparatus of a puzzle character consisting of a recessed board constituting the field within which are mounted in position lettered blocks of different shapes and sizes and a "ball-block" cooperating with the lettered blocks, so as to be shifted from a central position in the field-board to a goal position at either the "north" or "south" end of said board.

My invention, stated in general terms, consists of a game apparatus constructed and arranged for playing the game substantially as hereinafter described and claimed.

The nature and characteristic features of my invention will be more fully understood from the following description, taken in connection with the accompanying drawings, forming part hereof, in which—

Figure 1 is a top or plan view of a "football" game apparatus, showing one half of the board recessed to form a field with the different types of lettered blocks occupying their normal positions therein and the other half complementally recessed and lined with a representation of the designated blocks of the field, the two members of the board being preferably hinged together and the board with the different types or forms of blocks embodying the main features of my present invention. Fig. 2 is a transverse central sectional view of Fig. 1, showing the two members folded and also showing certain of the blocks in position in the recessed field of the board; and

Fig. 3 is a view in perspective of four different sizes and types of blocks employed in the playing of the game.

Referring to the drawings, A is the game-board, consisting of two members *a* and *a'*, preferably hinged to each other at *a*<sup>2</sup>. The member *a* is recessed, as shown, to form the outline of the field of the game, within which field at the center a ball-block *b* is normally positioned between the "umpire" and "referee" blocks *c* and *d*. Also within the field are positioned the different series of designated or lettered "man-blocks" *e* and three-quarter or L-shaped "half-back" blocks *f*, *f'*, *f*<sup>2</sup>, and *f*<sup>3</sup>, all occupying in the start of the game their normal positions. (Illustrated in Fig. 1 of the drawings.) The cover member *a'* of the board is recessed complementally to that of the recessed field of the member *a*, so that when the cover member is closed onto the member *a*, as illustrated in Fig. 2, the different series of blocks of the field of the member *a* will be held in place safely in the recessed portions thereof. The printed representation *g* of the member *a'* is pasted or otherwise secured into the recessed portion of the cover *a'*, and by the designations appearing in the representation *g* in the form of blocks thereon it is possible should the different blocks in the field of the member *a* become disarranged to readily rearrange the same in order to start afresh the game or puzzle or for any other purpose in which symmetry of arrangement of the blocks in the field of the game-board is desired.

The purpose of the puzzle or game hereinbefore described is to so manipulate the different man and half-back blocks, as well as the umpire and referee blocks, that the ball-block *b* may be moved either forward or sidewise, or both, from the center of the field, but not backward after the starting of the ball-block until it is finally shifted into the "goal" place at either the extreme north or south position of the recessed board *a*, represented in the normal position of the blocks within the field, as shown in Fig. 1, by the spaces in which the "full-back" blocks, lettered "F.B." "F.B.," are held. In order to move the ball-block *b*, it is essentially necessary that the recessed field of the board should be provided with four of

the said L-shaped or three-quarter half-back blocks  $f^1$ ,  $f^2$ ,  $f^3$ , and  $f^4$ , and they must be so shifted and turned by change of position in the field as to engage each other to constitute as to  
 5 all of them substantially a three-block space, and thus to make available an extra block-space of the field for the free manipulation of the ball-block  $b$  in the direction of the goal at either the north or south of the board. This  
 10 is accomplished by interlocking the four L-shaped or three-quarter blocks in pairs to form two rectangular blocks each a space and a half long and a space wide. When the ball-block has been shifted to the goal position at  
 15 the top or bottom of the board, the game is ended, and the respective different types of blocks are then restored to their normal position, according to the diagram of the cover member of the board.

20 Having thus described the nature and object of my invention, what I claim as new, and desire to secure by Letters Patent, is—

1. A game apparatus, comprising a recessed  
 25 board constituting a field with "goal" places, a series of square blocks and a series of three-quarter or L-shaped blocks arranged to be shifted in the field and a square "ball-block"

adapted to be shifted from a center position to a "goal" position of the field, after the L-shaped blocks are interlocked to form rectangular blocks. 30

2. In a game apparatus, a board consisting of two connected members, having complementary recesses, whereof one member constitutes a field for playing the game, and whereof 35 the other constitutes a cover and in its recessed portion is provided with a representation of the field with the normal arrangement of the different series of blocks therein, square lettered blocks and three-quarter or L-shaped 40 blocks arranged to be shifted in the field, a rectangular "referee-block," a rectangular "umpire-block," and a square "ball-block" adapted to be shifted from a center position to a "goal" position at the "north" or "south" 45 of said field, after the L-shaped blocks are interlocked to form rectangular blocks.

In testimony whereof I have hereunto set my signature in the presence of two subscribing witnesses.

WILLIAM H. E. WEHNER.

Witnesses:

J. WALTER DOUGLASS,  
 THOMAS M. SMITH.